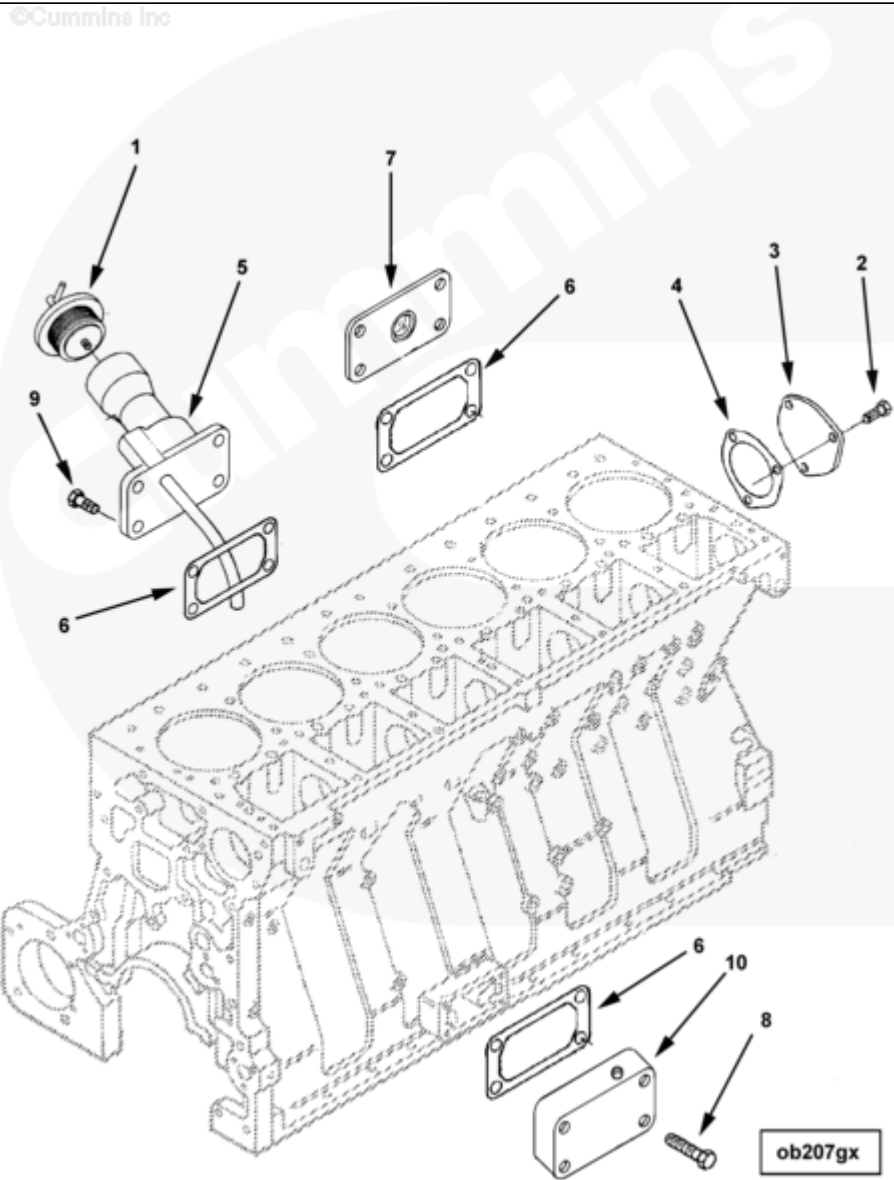




## Parts Catalog - Option Detail

Electronic Parts Catalog - Option Detail				
Option	Group	Graphic	Film Card	Date
OB2435-03	07.02	ob207gx	II	26-AUG-99
<b>Engines</b>	ISM CM570, ISM CM570/870, ISM CM875, ISM CM876, ISM CM876 E, ISM11 CM876 M103, ISM11 CM876 SN, M11 CELECT, M11 CELECT PLUS, M11 MECHANICAL, QSM11 CM570, QSM11 CM876			



[SMALL](#) | [MEDIUM](#) | [LARGE](#)

Cart	Ref No	Part Number	Part Description	Required	Remarks
<a href="#">View My Cart</a>					
		OB2435-03	Oil Filler Arrangement		<a href="#">MR - ARRANGEMENT, OIL FILL...(More)</a>

					Oil Filler Arrangement
					Oil Fill Supplier: Cummins
					Supplied
					Oil Fill Location: Right
					Side Front HHC
					Fill Tube Horiz Position:
					241.7mm (9.52") from FFOB
					Fill Tube Vert Position:
					20.7mm (0.81")
					Fill Tube Position Horiz from
					Eng C/L: 361.0mm (14.2")
					Dipstick Location: Right
					Side Front HHC
					Oil Return Provision: 1" NPT
					Hole in Right Rear HHC
					Dipstick Tube Attachment
					Method: 3/4-16 UNF
					Drain Provision For CCV
					System In Left Side Center
					HHC
<input type="checkbox"/>	1	<a href="#">101322</a>	Filler Cap	1	
<input type="checkbox"/>	2	<a href="#">3009887</a>	Hexagon Head Cap Screw	3	M10 x 1.50 x 22
<input type="checkbox"/>	3	<a href="#">3025295</a>	Camshaft Cover	1	
<input type="checkbox"/>	4	<a href="#">3025296</a>	Cover Plate Gasket	1	
<input type="checkbox"/>	5	<a href="#">3820463</a>	Hand Hole Cover	1	
<input type="checkbox"/>	6	<a href="#">3883472</a>	Hand Hole Gasket	3	
<input type="checkbox"/>	7	<a href="#">3896324</a>	Hand Hole Cover	1	
<input type="checkbox"/>	8	<a href="#">3900634</a>	Hexagon Flange Head Cap Screw	4	M10 X 1.50 X 50.

<input type="checkbox"/>	9	<a href="#">3902460</a>	Hexagon Flange Head Cap Screw	4	M10 X 1.50 X 25.
<input type="checkbox"/>	10	<a href="#">4003566</a>	Hand Hole Cover	1	
<input type="checkbox"/>		<a href="#">3892253</a>	Instruction Tag	1	

© 2019 Cummins Inc., Box 3005, Columbus, IN 47202-3005 U.S.A.  
 Terms of Use and Disclaimers | Recommended System Requirements  
 Need Assistance? Please click on the Contact Us button in the top right corner of any page.